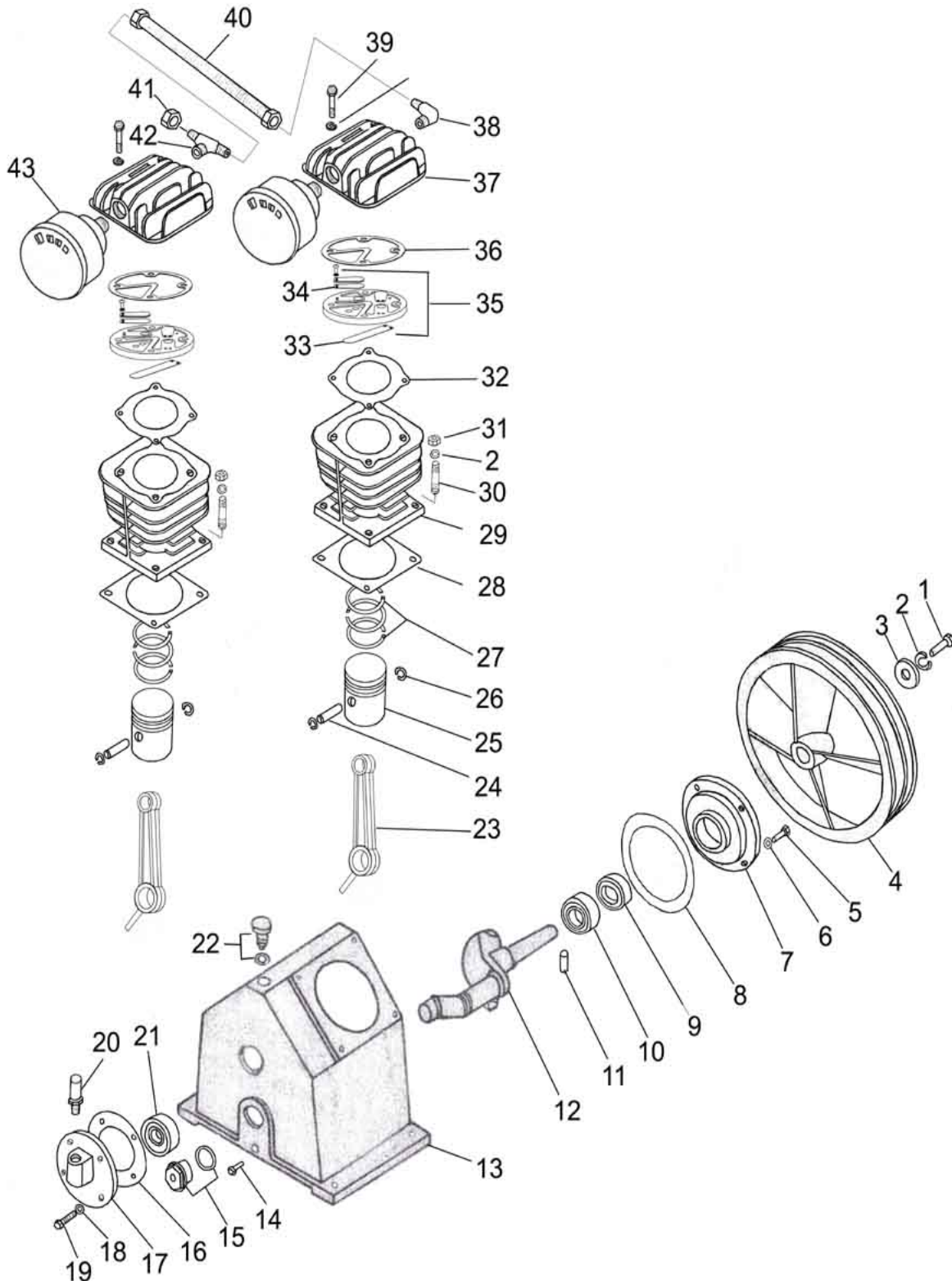


DESPIECE COMPRESOR a correa
Trifásico - Bicilíndrico
3 HP / 5,5 HP - 150 L / 300 L / 500 L



DESPIECE COMPRESOR a correa
Trifásico - Bicilíndrico
3 HP / 5,5 HP - 150 L / 300 L / 500 L



		QTY			QTY
1	Bolt M10*35	1	23	Connecting rod	2
2	Spring washer10	9	24	Piston pin	2
3	Shaft end washer	1	25	Piston Φ80	2
4	Fan pulley	1	26	Piston pin Circlip 15	4
5	Bolt M8*25	6	27	piston ring	2
6	Spring washer 8	20	28	Cylinder gasket	2
7	Bearing seat	1	29	Cylinder	2
8	Bearing seat gasket	1	30	Stud M10x30	8
9	Sealing ring	1	31	Nut M10	8
10	Bearing 6304	1	32	Valve gasket	2
11	Key 5x19	1	33	Intake Valve clack	2
12	Crankshaft	1	34	Discharge valve clack	4
13	Crankcase	1	35	Valve assy	2
14	Oil drain plug G3/8"	1	36	Cylinder head gasket	2
15	Oil leveler G3/4"	1	37	Cylinder head	2
16	Bearing cover gasket	1	38	Right-angle Connector	1
17	Bearing cover	1	39	Bolt M8x70	8
18	Bolt M6*20	4	40	Radiator tube assy	1
19	Spring washer 6	4	41	Nut G3/4	1
20	Breath pipe	1	42	Tee connector	1
21	Bearing 6307	1	43	Air filter	2
22	Oil filter plug	1			