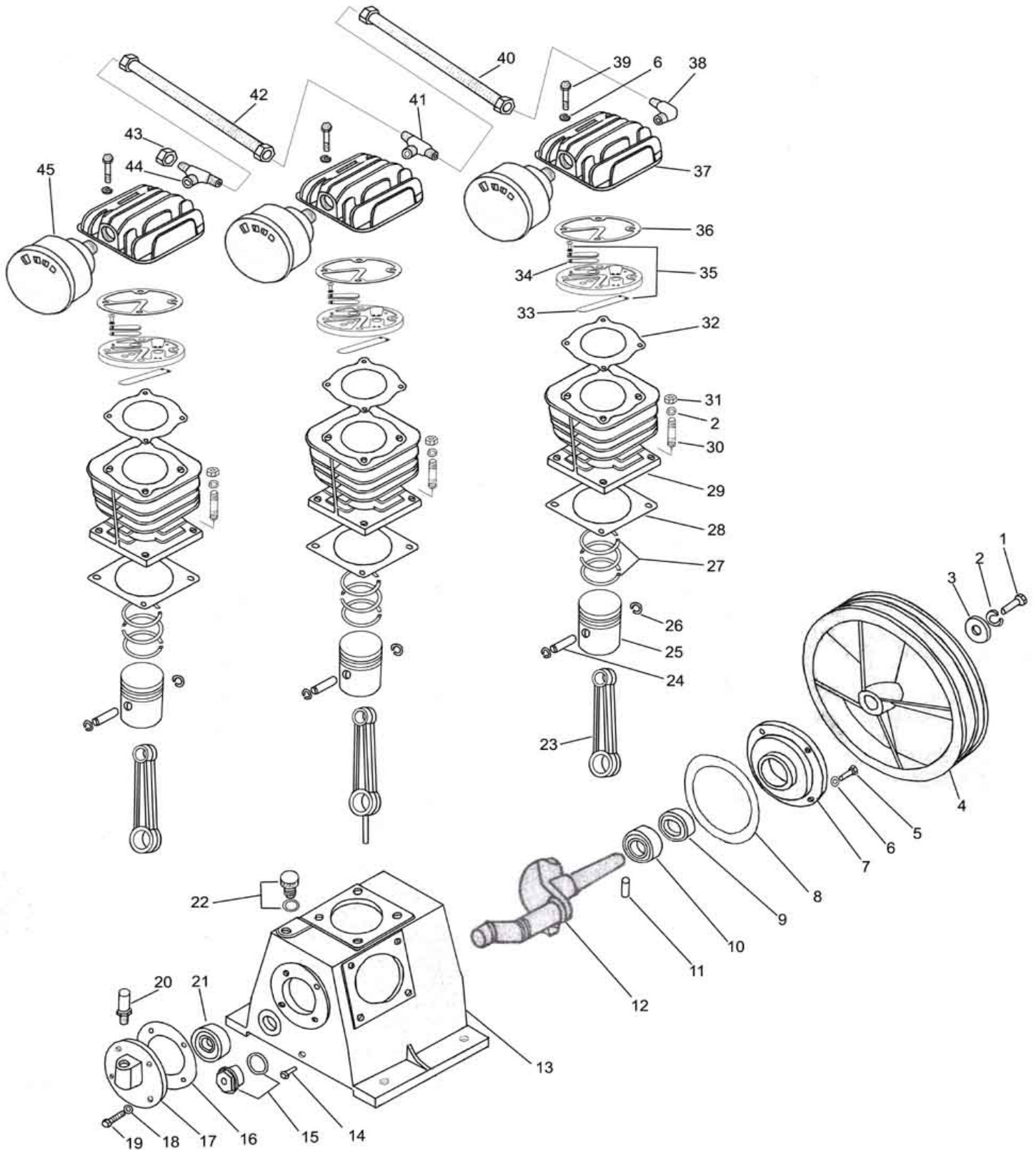


DESPIECE COMPRESOR a correa
Trifásico - Tricilíndrico
7,5 HP / 10 HP / 15 HP - 500 L



DESPIECE COMPRESOR a correa

Trifásico - Tricilíndrico

7,5 HP / 10 HP / 15 HP - 500 L



	QTY		QTY
1 Bolt M10*35	1	26 Piston pin Circlip 15	6
2 Spring washer10	13	27 piston ring	3
3 Shaft end washer	1	28 Cylinder gasket	3
4 Fan pulley	1	29 Cylinder	3
5 Bolt M8*25	6	30 Stud M10x30	12
6 Spring washer 8	24	31 Nut M10	12
7 Bearing seat	1	32 Valve gasket	3
8 Bearing seat gasket	1	33 Intake Valve clack	3
9 Sealing ring	1	34 Discharge valve clack	6
10 Bearing 6304	1	35 Valve assy	3
11 Key 5x19	1	36 Cylinder head gasket	3
12 Crankshaft	1	37 Cylinder head	3
13 Crankcase	1	38 Right-angle Connector	1
14 Oil drain plug G3/8"	1	39 Bolt M8x70	12
15 Oil leveler G3/4"	1	40 Radiator tube assy I	1
16 Bearing cover gasket	1	41 T-tpye connector	1
17 Bearing cover	1	42 Radiator tube assy II	1
18 Bolt M6*20	4	43 Nut G3/4	1
19 Spring washer 6	4	44 Tee connector	1
20 Breath pipe	1	45 Air filter	3
21 Bearing 6307	1		
22 Oil filter plug	1		
23 Connecting rod	3		
24 Piston pin	3		
25 Piston Φ80	3		